

ECOVIEW 9 PLUS

U-arm(straight type)

A straight arm DR equipped with one fixed type 17 X 17 FPD provides high quality images in order to meet general and specialized diagnostic needs. Unique designed straight arm enables all types of diagnostic procedures from chest to table examination in small practices or primary / urgent care institutions .

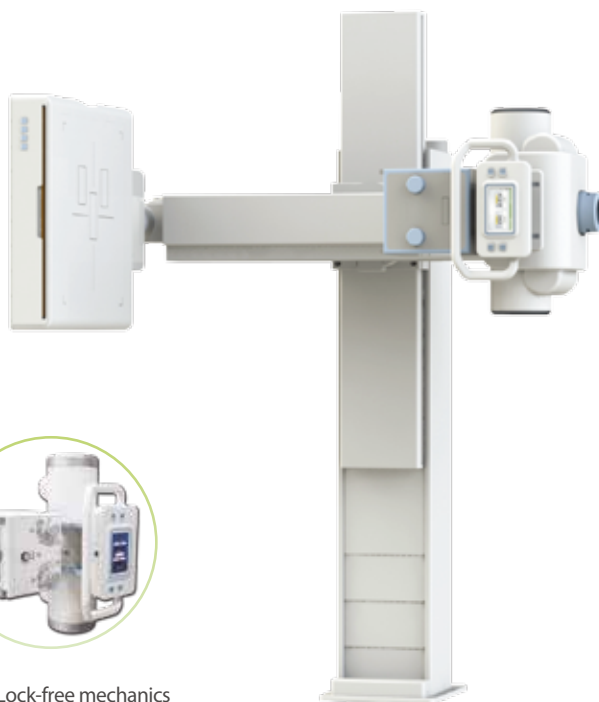
- **COLLAPSIBLE STAND** for compact installation space.
- **LOCK SENSOR** operates automatically by hand grip
- **SID & ANGLE** display at LCD touch screen
- **MOTORIZED** up/down & SID control



Adjustable detector angle



Easy Lock-free mechanics



Chest type

Chest exam is mainly used for chiropractic and thoracic practice. Users maintain correct chest examination with reliable performance. With its compact design & easy installation, it is an excellent choice for a mobile solution

- **AUTO FOCUSING** by motor control
- **EASY** installation and operation in a clinic or a vehicle
- **USER** friendly LCD console for fast workflow

Technical Specifications

Category / Range		500 mA	630 mA	800 mA	1000 mA	
Generator	Power	40 kW	50 kW	65 kW	80 kW	
	Output Frequency	40 KHz		300 KHz		
	Max	kV	125	150	150	150
		mA	500	630	800	1,000
	Max. rating (at 100msec)	500mA @ 80kV	630mA @ 75kV	800mA @ 80kV	1,000mA @ 80kV	
	mAs range	0.1 ~ 500 mAs	0.1 ~ 630 mAs	0.1 ~ 800 mAs	0.1 ~ 1,000 mAs	
	Exposure Time	0.001 ~ 6 seconds (81 steps)				
	APR	288		1290		
	AEC	Available (optional)				
Line Voltage (phase)	220 VAC, single phase	380 VAC, three phase				
Tube	Anode heating unit	140 KHU	300 KHU			
	Focal spot	1.0/2.0 mm	0.6/1.2 mm			
	Target angle	16°	12°			

- Specifications subject to change without notice.

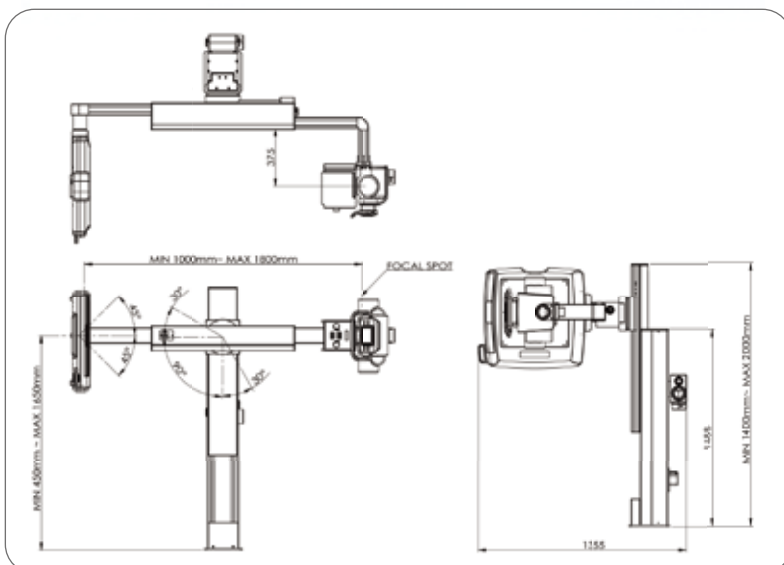
Scintillator : Gadox or CsI
 Active Area : 423 x 423 mm
 Active Pixels : 3,328 x 3,328px
 Pixel Pitch : 127 μ m
 Limiting Resolution : 3.9 lp/mm
 A/D Conversion : 14/16 bits
 Preview Time : \leq 2 Sec
 Interface : 1Gbps Ethernet
 Energy Range : 40~150 kVp
 Dimension(W x L x H) : 460 x 460 x 15.5 mm
 Weight : 4.0 kg (8.8 lbs)

Flat Panel Detector with acquisition software

X-ray Conversion Layer : Amorphous Silicon (a-Si) Photodiode
 Active Area : 43 x 43 cm (17" x 17")



Straight type



Chest type

