

# BATTERY-POWERED PORTABLE X-RAY

High frequency Generator - 1.35 kW / 1.6 kW

Portability / Versatility / Flexibility in your hand / Wireless Solution

- Built-in **Rechargeable** battery
- Robust & Compact design
- User friendly interface
- Wireless control by Bluetooth
- User friendly interface



90BT



9020BT



1025BT




ECOVUE

[www.ecoray.kr](http://www.ecoray.kr) / [www.ecoviewmedical.com](http://www.ecoviewmedical.com)

# Specification

Category		90BT	9020BT	1025BT
Generator	Generator type	High Frequency Inverter		
	Max. Output Power	1.35 kW (15 mA @ 90 kV)		1.6 kW (16 mA @ 100 kV)
	kV Range	40 ~ 90 kV		40 ~ 100 kV
	mA Range	12 ~ 20 mA		15 ~ 25 mA
	mAs Range	0.32 ~ 30 mAs		0.32 ~ 50 mAs
Tube	Focal Spot	1.2 x 1.2 mm	0.8 x 0.8 mm	1.2 x 1.2 mm
	Target Angle	19 degrees	16 degrees	16 degrees
	Anode Heat Storage	10 kJ	7 kJ	35 kJ
Collimator	X-ray field Size	Max : 27 x 27 cm @ 66 cm SID		Max : 35 x 35 cm at 66 cm SID
	Lamp	LED lamp		
	Laser	Built-in dual laser (Class 2, One point at 66 cm)		
Size	280 (L)* 140 (W)* 186 (H) mm	285 (L)* 152 (W)* 185 (H) mm	334 (L)* 164 (W)* 192 (H) mm	
Net Weight	8.5 kg	9.8 kg	11.4 kg	
APR Memory	7 Memory (Basic) / 12 Memory (Addition)			
Protection	Overload protection for high frequency generator and X-ray tube			

User Interface	
 OP panel	Display
	Operation Switch
	Ready / X-ray / Wait / Check ( Low voltage or Overload ) LED
	The status of battery
	kV and mAs digital display
	7 Segment operation buttons for setting kV, mAs
	Collimator lamp, Laser Pointer, APR storage Key, Display reverse, Power On/Off

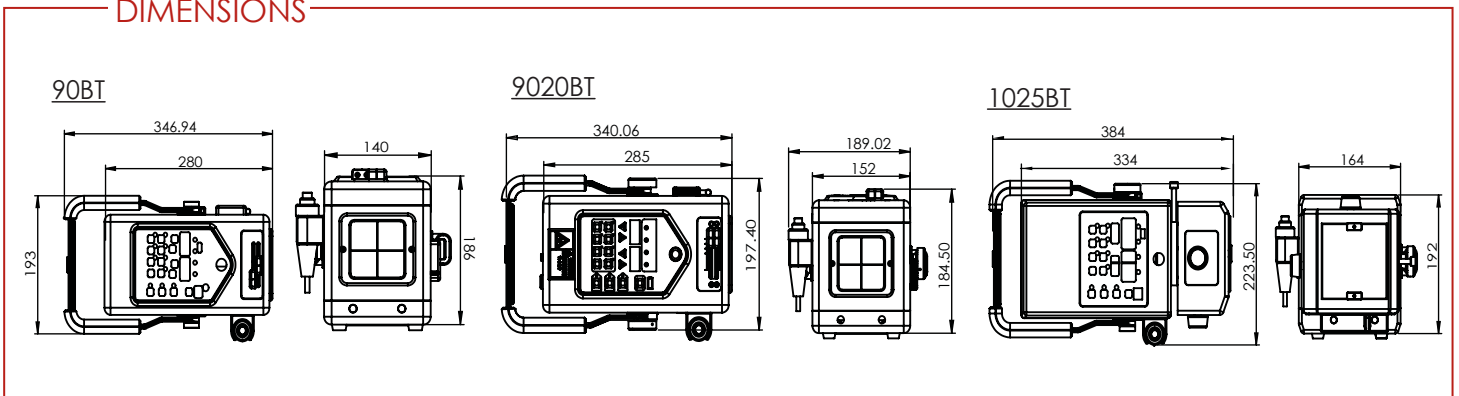
Rechargeable Battery		
Battery pack & charger	Charger Power	100 - 240 AC, 50 / 60 Hz
	Charging Time	Approx. 3.5 hrs
	Cell Capacity(mAh)	2,600 mAh x 14
	Battery Capacity	Approx. 1,400 exposures @ 80 kV, 2 mAs by full battery charging



Aluminum Hand Carry Box

\* Specification is subject to change without prior notice.

## DIMENSIONS



# ECOVIEV

#715 ForHu B/D, 58, Wangsimni-ro, Seongdong-gu, Seoul, KOREA 04778  
 Phone +82 70 7510 3400 Fax +82 70 8630 3420  
 info@ecoray.kr / info@ecoviewmedical.com  
 www.ecoray.kr / www.ecoviewmedical.com